

Unveiling the Tapestry of Wyoming's Past: Historical Wyoming Vol 62 No 2024 Aprmay



Historical Wyoming (Vol. 62 No. 4) 2024 AprMay

by Historian's Office Wyoming County NY

★ ★ ★ ★ ☆ 4.3 out of 5

Language : English

File size : 5751 KB

Print length : 42 pages

Screen Reader: Supported

Paperback : 128 pages

Item Weight : 6.9 ounces

Dimensions : 5.83 x 0.31 x 8.27 inches



Step back in time and witness the extraordinary saga of Wyoming unfold in Historical Wyoming Vol 62 No 2024 Aprmay. This captivating volume transports readers to a bygone era, offering an immersive exploration of the state's rich history, diverse cultures, and pivotal events.

The Native American Legacy

The story of Wyoming begins with its earliest inhabitants, the Native American tribes who left an enduring imprint on the land. Historical Wyoming Vol 62 No 2024 Aprmay delves into the vibrant cultures, traditions, and contributions of the Cheyenne, Arapaho, Crow, and Shoshone nations, showcasing their profound connection to the Wyoming landscape.



The Era of Exploration

As the 19th century dawned, explorers and adventurers set their sights on the vast and untamed territories of Wyoming. Historical Wyoming Vol 62 No 2024 Aprmay chronicles the expeditions of Jedediah Smith, Jim Bridger, and others who ventured into the unknown, paving the way for westward expansion.



A rugged mountain man traverses the unforgiving Wyoming wilderness, embodying the spirit of exploration.

The Fur Trade and the Mountain Men

The fur trade played a pivotal role in Wyoming's early history, and Historical Wyoming Vol 62 No 2024 Aprmay vividly recounts the exploits of the

legendary mountain men who risked their lives in pursuit of beaver pelts. From the rendezvous at Fort Bridger to the perils of the Rocky Mountains, this chapter sheds light on a pivotal era in the state's development.



The Coming of the Settlers

As the fur trade declined, settlers began to pour into Wyoming, seeking land and opportunity. Historical Wyoming Vol 62 No 2024 Aprmay documents the homesteading era, the establishment of towns and cities, and the challenges faced by these early pioneers.



A pioneer family embarks on a perilous journey to establish a new life in Wyoming.

The Indian Wars

The settlement of Wyoming did not come without conflict. Historical Wyoming Vol 62 No 2024 Aprmay examines the tragic Indian wars that erupted between Native American tribes and settlers, exploring the causes, consequences, and legacy of these bloody confrontations.



The Outlaw Era

In the late 19th century, Wyoming became a haven for outlaws and lawmen alike. Historical Wyoming Vol 62 No 2024 Aprmay delves into the colorful and often lawless era of Butch Cassidy, the Sundance Kid, and other notorious figures who roamed the state's vast landscapes.

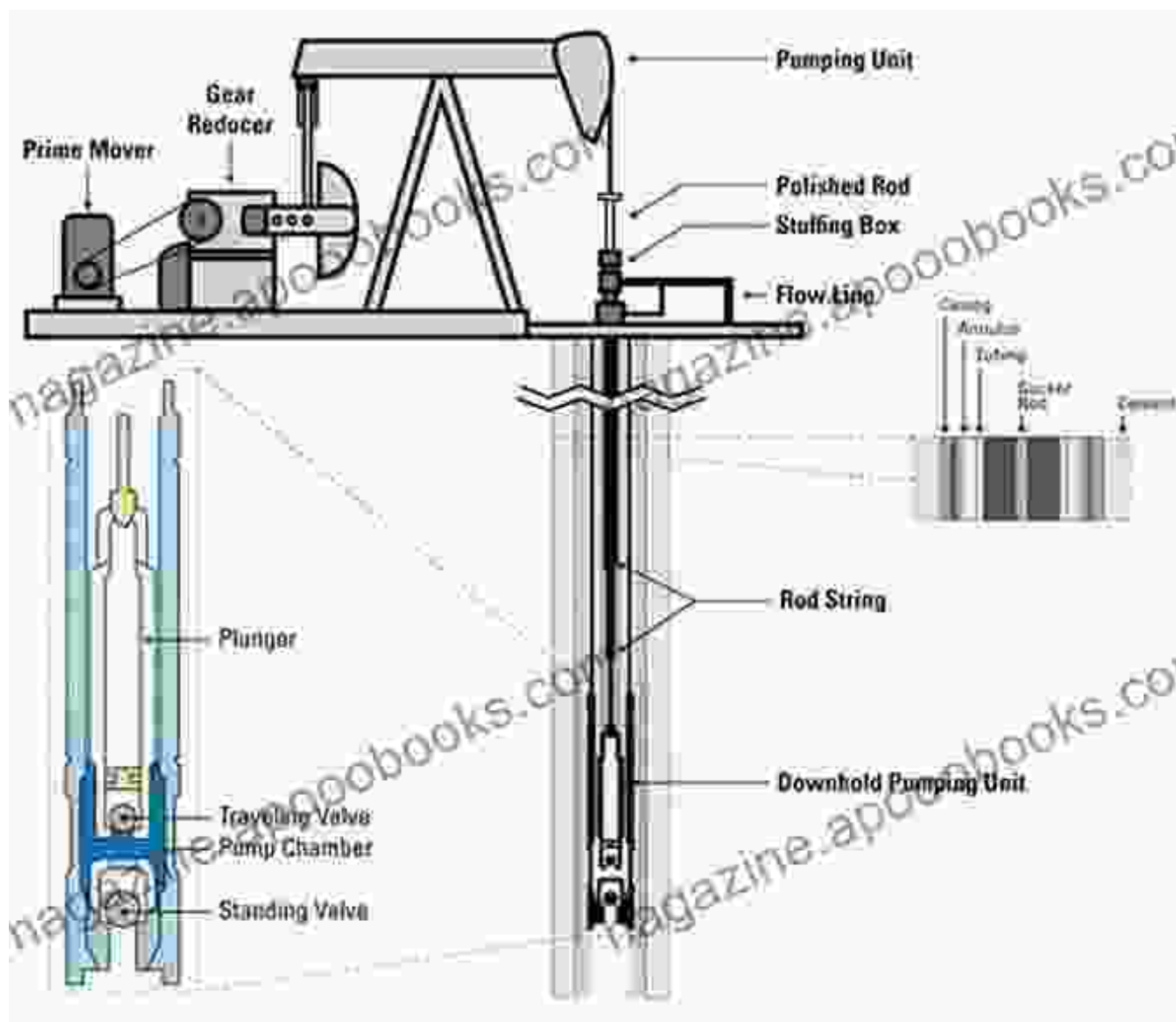


A notorious outlaw stands defiantly, embodying the Wild West spirit that permeated Wyoming.

The 20th Century

The 20th century brought significant changes to Wyoming, from the oil boom to the rise of tourism. Historical Wyoming Vol 62 No 2024 Aprmay

explores the state's evolution during this transformative period, highlighting its economic, social, and cultural developments.



Historical Wyoming Vol 62 No 2024 Aprmay concludes its captivating journey through time by reflecting on the state's enduring legacy. From its ancient Native American roots to its modern-day innovations, Wyoming's story is one of resilience, adventure, and unwavering spirit. This volume is an invaluable resource for anyone interested in exploring the rich and multifaceted history of the Equality State.

Free Download Your Copy Today!

Don't miss out on this exceptional opportunity to delve into the captivating history of Wyoming. Free Download your copy of Historical Wyoming Vol 62 No 2024 AprMay today and embark on a journey through time that will forever enrich your understanding of this remarkable state.

Free Download Now

Copyright © 2023 Historical Wyoming



Historical Wyoming (Vol. 62 No. 4) 2024 AprMay

by Historian's Office Wyoming County NY

★★★★☆ 4.3 out of 5

Language : English

File size : 5751 KB

Print length : 42 pages

Screen Reader : Supported

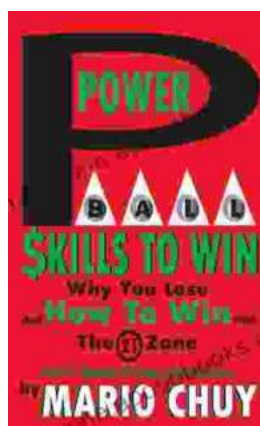
Paperback : 128 pages

Item Weight : 6.9 ounces

Dimensions : 5.83 x 0.31 x 8.27 inches

FREE

DOWNLOAD E-BOOK



Unlock the Secrets of Powerball Success: Master the Powerball Skill to Win with Bartleson

Prepare to shatter the odds and transform your lottery dreams into reality with the groundbreaking Powerball Skill to Win by Bartleson. This comprehensive guidebook unveils...



Patti Smith Horses 33 55: A Photographic Journey into a Musical Legacy

Journey into the raw and enigmatic essence of Patti Smith's timeless masterpiece, Horses, through Philip Shaw's extraordinary photographs in Patti Smith...